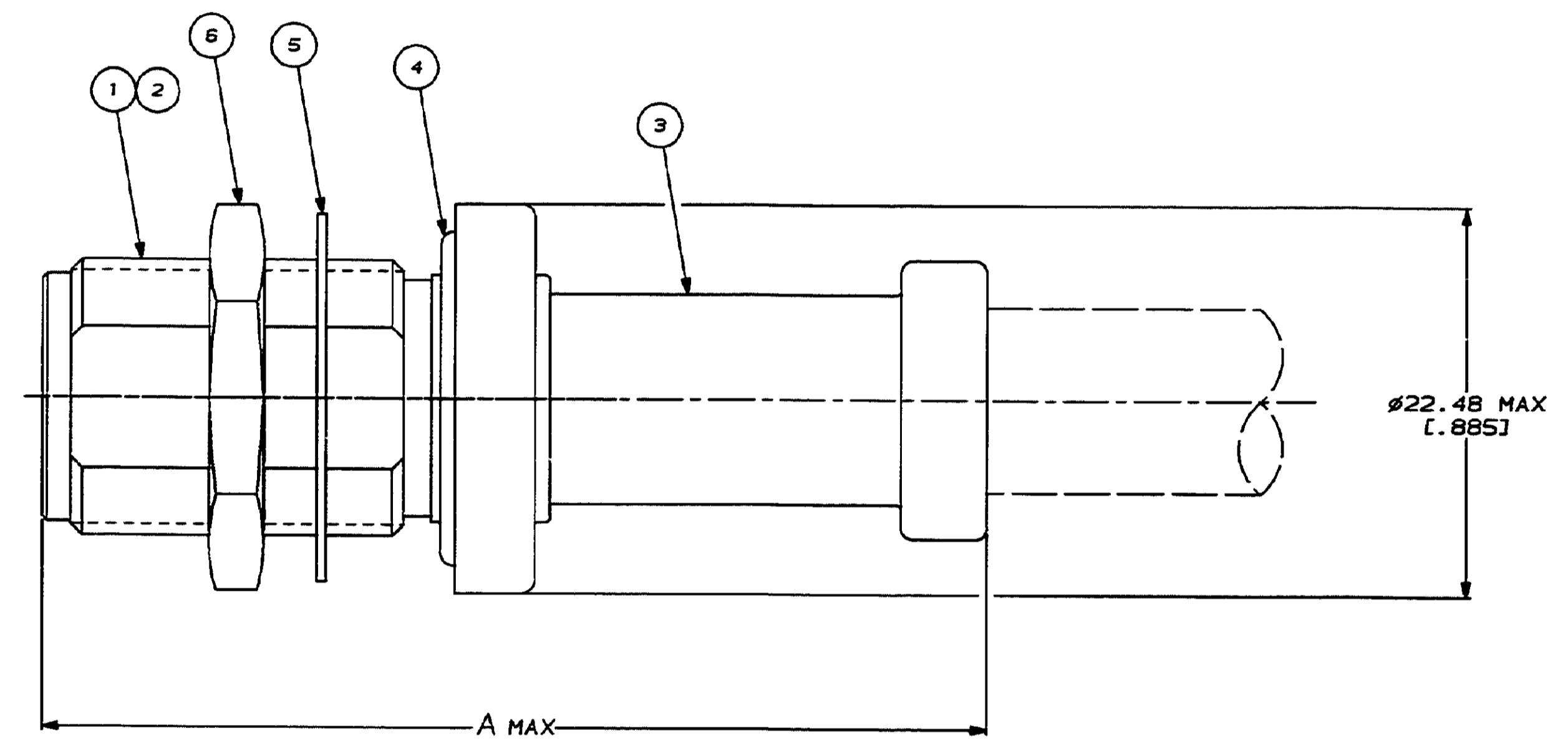
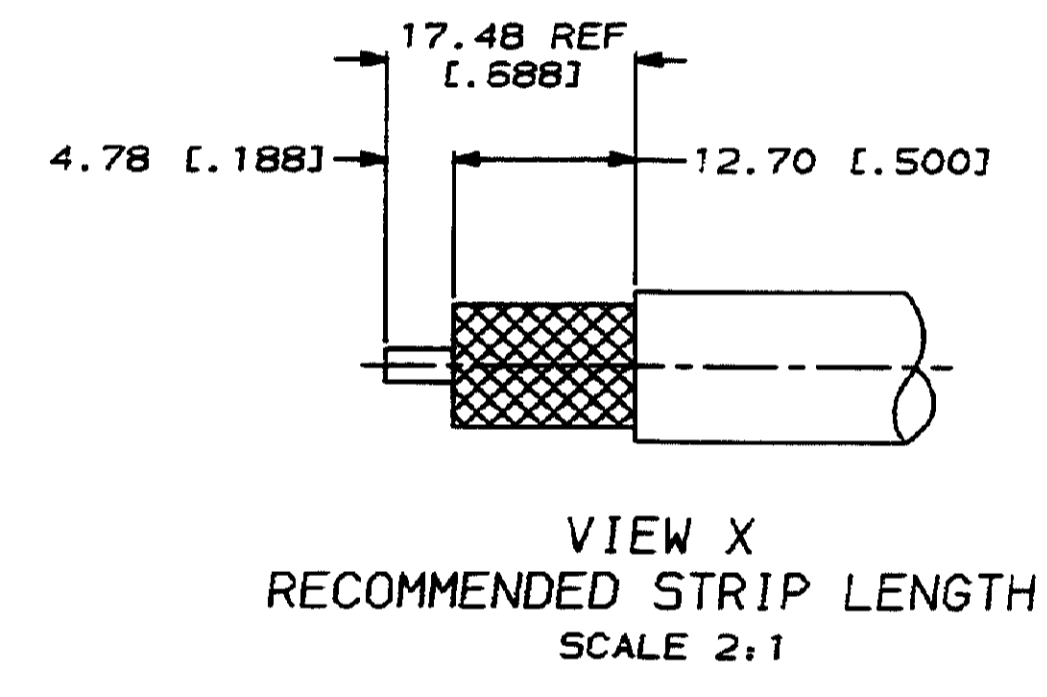
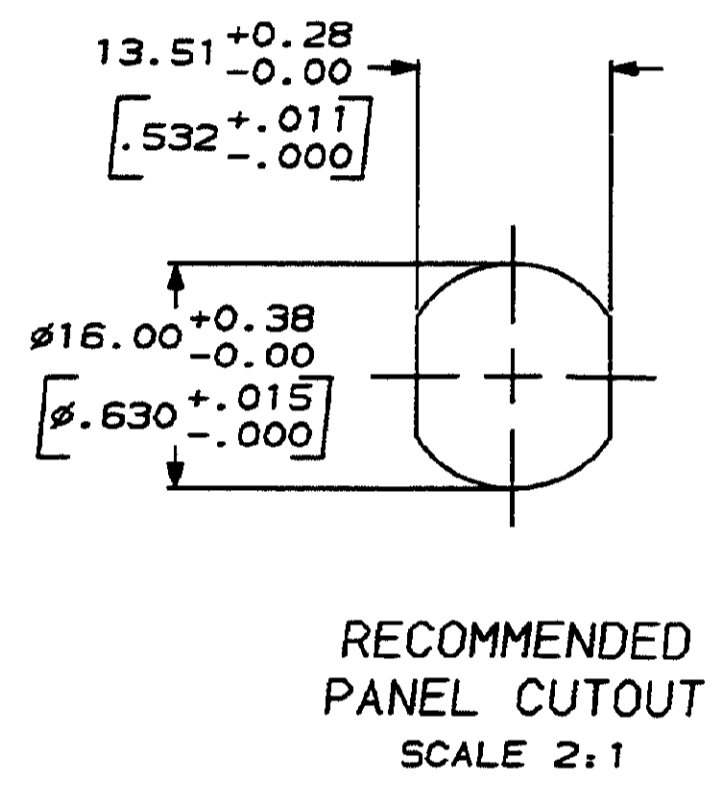
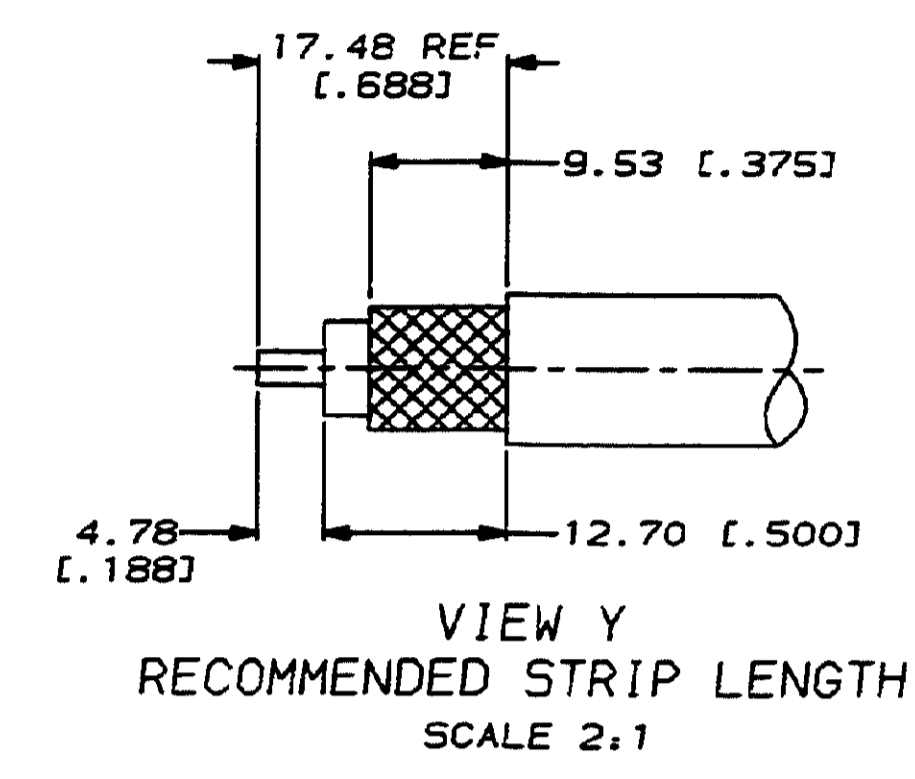


LOC		DIST		REVISIONS			
ZONE	LTR	DESCRIPTION	DATE	APPD			
AJ	16			G	REMOV & OBS PW 225094-6 & -12 PER AJ-3911	07-08-91	BAS
				H	REVISED PER AJ-4850	10-26-91	MS
				J	REV PER AJ-6096	3-20-92	BH
				J1	OBSOLETE 1--0 PER AJ-6356	12-7-92	KT
				K	OBS -5,-7,-8 PER AJ-6482	12-9-92	KT

1. SEE I.S. 2028-3



RG-213/U	7-225094-2 AMP	Y	220015-1	53.98 [2.125]	1-332004-0	50687	22132-3	1-331987-3	51704-4	225085-1	7-225094-2		
RG-214/U	7-225094-1 AMP	X	220015-1	53.98 [2.125]	1-332004-0	50687	22132-3	331987	51704-4	225085-1	7-225094-1		
MICRODOT 250-4171 & 250-4207	1-225094-5 AMP	Y	220015-3	53.16 [2.093]	1-332004-9	50687	22132-3	225612-1	51704-4	225905-2	1-225094-5		
MICRODOT 250-4172 & 250-4208	1-225094-4 AMP	Y	220015-3	53.16 [2.093]	1-332004-9	50687	22132-3	225612-2	51704-4	225905-1	1-225094-4		
OBSOLETE	RG-214/U		10688469 AMP	X	220015-1	53.98 [2.125]	1-332004-0	50687	22132-3	331987	51704-4	225085-1	1-225094-0
OBSOLETE													
OBSOLETE	RG-115A/U		225094-8 AMP	X	220015-1	53.98 [2.125]	1-332004-0	50687	22132-3	1-331987-3	51704-4	225085-2	225094-8
OBSOLETE	RG-225/U		00779M39012/03B0009 AMP & DATE CODE	X	220015-1	53.98 [2.125]	1-332004-0	50687	22132-3	331987	1-51704-6	225085-1	225094-7
OBSOLETE													225094-6
OBSOLETE	RG-216/U		00779M39012/03B0011 AMP & DATE CODE	X	220015-1	53.98 [2.125]	1-332004-0	50687	22132-3	331987	1-51704-4	225085-1	225094-5
	RG-213/U		00779M39012/03B0004 AMP & DATE CODE	Y	220015-1	53.98 [2.125]	1-332004-0	50687	22132-3	1-331987-3	51704-4	225085-1	225094-2
	RG-214/U		00779M39012/03B0005 AMP & DATE CODE	X	220015-1	53.98 [2.125]	1-332004-0	50687	22132-3	331987	51704-4	225085-1	225094-1
	CABLE SIZE		STAMPING	VIEW	CRIMP TOOL	A	⑥ JAM NUT QTY=1	⑤ LOCKWASHER QTY=1	④ O-RING QTY=1	③ FERRULE QTY=1	② CONTACT QTY=1	① JACK ASSY QTY=1	PART NUMBER

DO NOT SCALE PRINT. UNLESS SPECIFIED DIMENSIONS IN INCHES TOLERANCES ON + 2 PLC DEC ± 0.41 [.016] 3 PLC DEC ± - ANGLES ± -		DR 07-08-91 B. SCOTT CHK 10-25-91 H. SNEED APPD 10-25-91 R. HENRY APPD 10-25-91 H. SNEED PRODUCT SPEC 108-12019		PART NO	
MATERIAL		NAME		AMP Incorporated Harrisburg, PA 17105-3508	
FINISH		APPLICATION SPEC		JACK, BULKHEAD, WEATHERPROOF, SERIES N	
WEIGHT		SIZE	CAGE CODE	DRAWING NO	
		D	00779	225094	
		SCALE	4:1	SHEET	1 OF 1